

SAMIA® ITALIA Srl
Via Bergamo , 39
23807 Merate (LC)
Italy

PRESENTATION



Tel: +39 039/6065920

info@samiasrl.com

www.samiasrl.com





ABOUT US



Samia® Origins (1951)

Following the discovery of gas fields in Northern Italy in 1951, the founder, Mr. Antonio Ventola, establishes the Brand Samia®, trading in Combustion Equipment and Flare Ignition Systems.

Late 90's early 2000's the consolidation

In a few years Samia® develops its proprietary design for both Flares and Combustion Equipment, becoming, in the early 60's, the very first European based Company engineering complete Flare Systems.

The brand led to great success, conquering European, North African and Middle East Markets, spreading into India in the late 80's, China ten years later and, most recently, Southeast Asia.

Samia® brands, a burning passion that keeps firing

Samia® Registered Trade Mark and the new “**A BURNING PASSION**” burners logo, alongside the Technology and entire Client portfolio are firmly under Samia® Italia Srl whole control.

From our base in Merate, one of the best business location, historical and tourist areas in between Bergamo, Milano, Lecco and Como, we manage our worldwide operation with the support of the many Agents and contacts located in the strategic areas of interest.



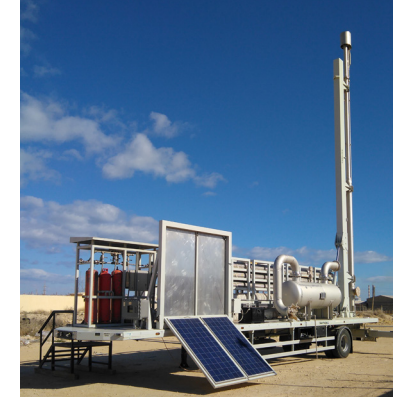
FLARING SYSTEMS



- Elevated Flares: Onshore, Offshore and Mobile.
- Steam/Air-Assisted Smoke Suppression System.
- Sonic Single or Multiarms.
- Horizontal Pit Tips.
- Cold Vent Stacks and Fire Fighting Device.
- Ignition, Monitoring and Control Systems.



Multiarm (Sonic)



Mobile



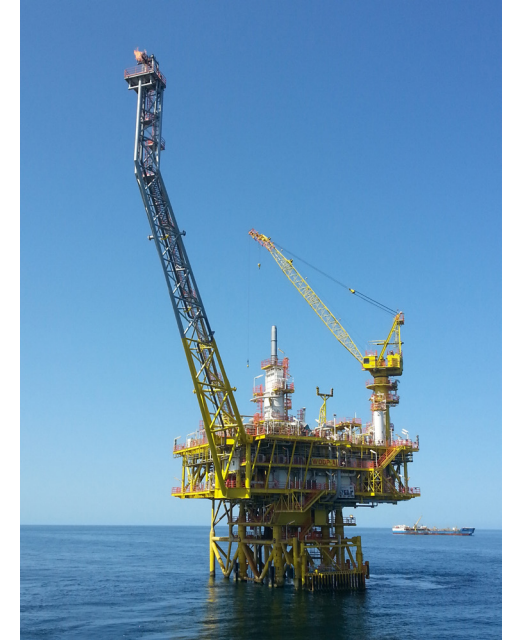
Self-supported



Guy wired



Derrick



Offshore



REFINERY HEATERS BURNERS



- Super loNOx or Conventional, Forced and Natural Draft.



Burner 3D view (base plate)



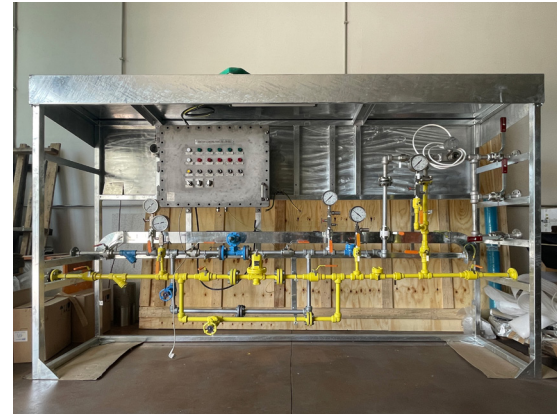
Burner Assembly



Burner Part

Samia italia, provides parts for Refinery Burners and Flares, including:

- Valves
- Hoses
- Pilot Burners
- Fuel and Steam Nozzles
- Local Ignition Systems
- K.O. Drums Separators and Water Seals



I & C panel



K.O Drum



IR Detector



Snuffing system

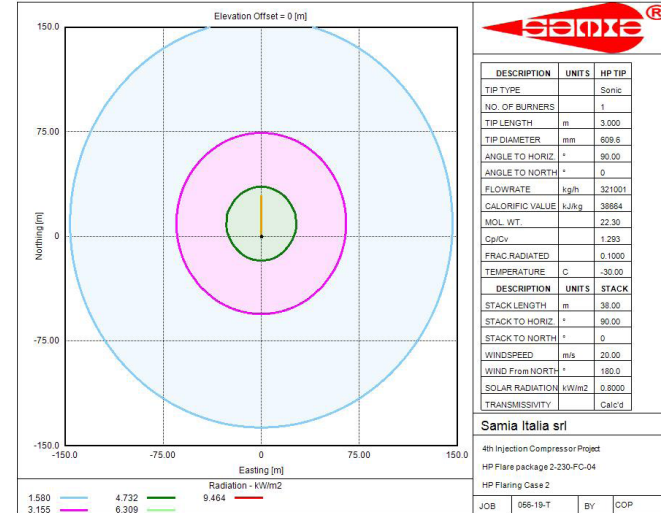
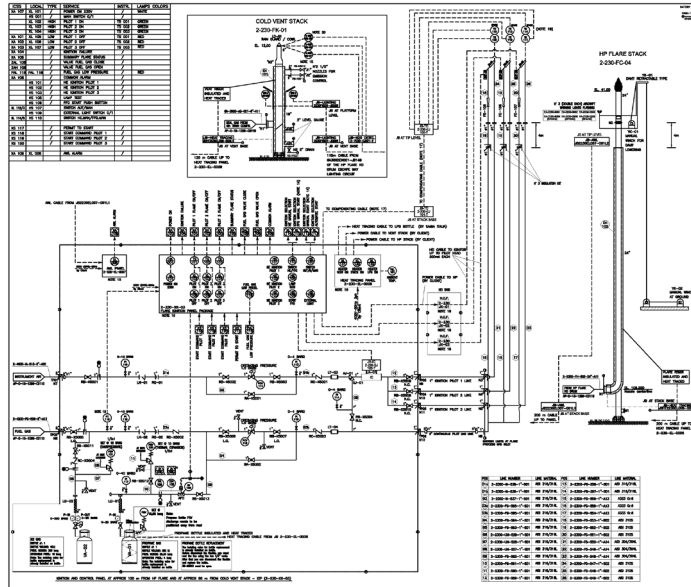


Purging system

Samia® Italia provides the following services:

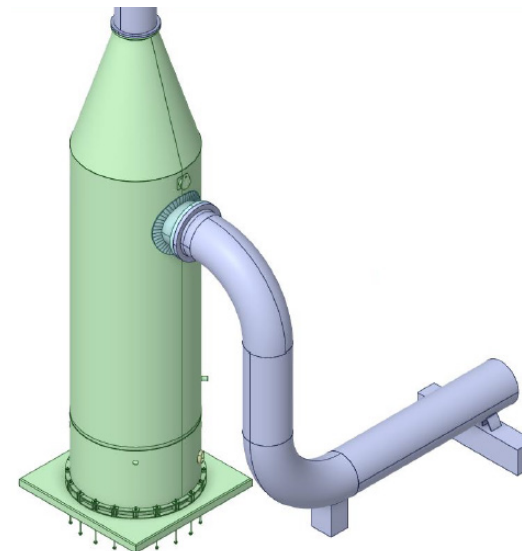
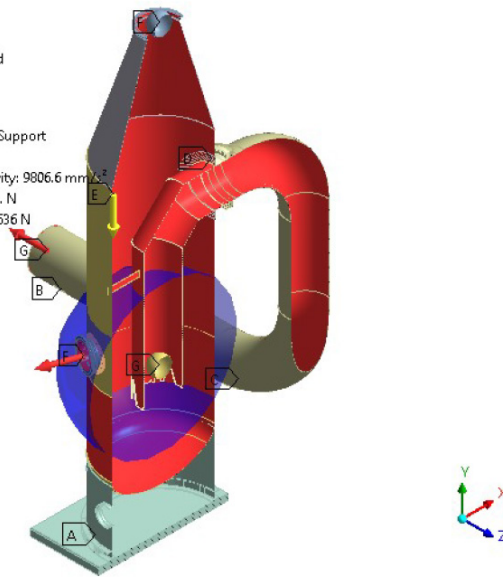
- Surveys for flare and burner
- Flares Aerial Inspection (with Helicopter or by Drone)
- Feasibility Studies
- Erection Supervision
- Revamping/Repairs/Upgrade/Modifications
- Spares
- Start up support and training courses





C: TRANSIENT_REV01
Figure
Items: 10 of 11 indicated

- A** Fixed Support
- B** Fixed Support 2
- C** Compression Only Support
- D** Imported Pressure
- E** Standard Earth Gravity: 9806.6 mm/s²
- F** Remote Force: 3676. N
- G** Remote Force 2: 13636 N



SAMIA ITALIA SRL

THANKS FOR YOUR ATTENTION

